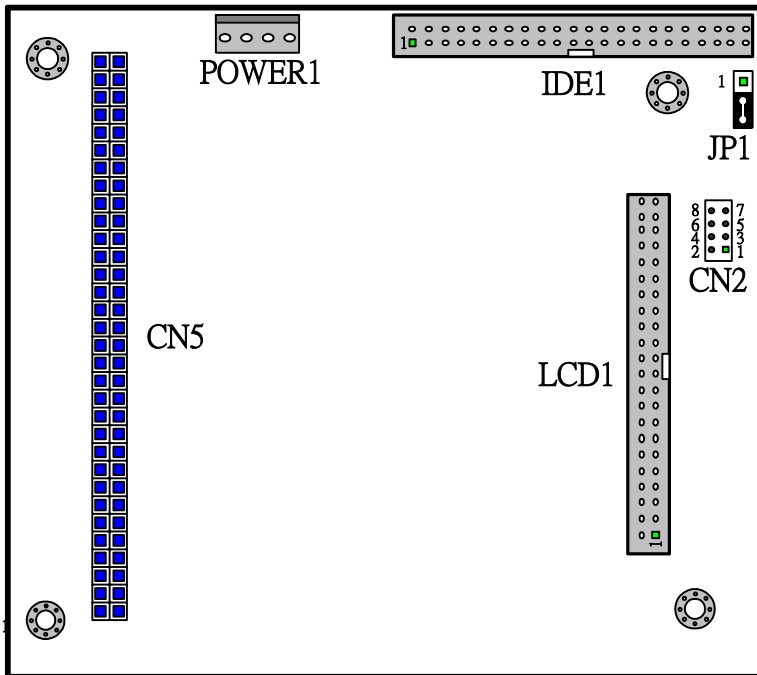


# EX-9891 TV-OUT

POWER1 : For 3.5" HDD Power Supply Use  
(If You Don't Use PC/104 Connector-CN5)



JP1 :  
1-2 Pin ON SLAVE  
2-3 Pin ON MASTER  
1-2-3 Pin OFF Cable SEL

CN2 : TV-OUT  
1-6 Pin S-VIDEO INPUT  
7-8 Pin AV-VIDEO INPUT

CN2 Pin Assigment  
Pin 1,2,5,6,7 : GND  
Pin 3 : Y  
Pin 4 : C  
Pin 8 : Y\_RCA